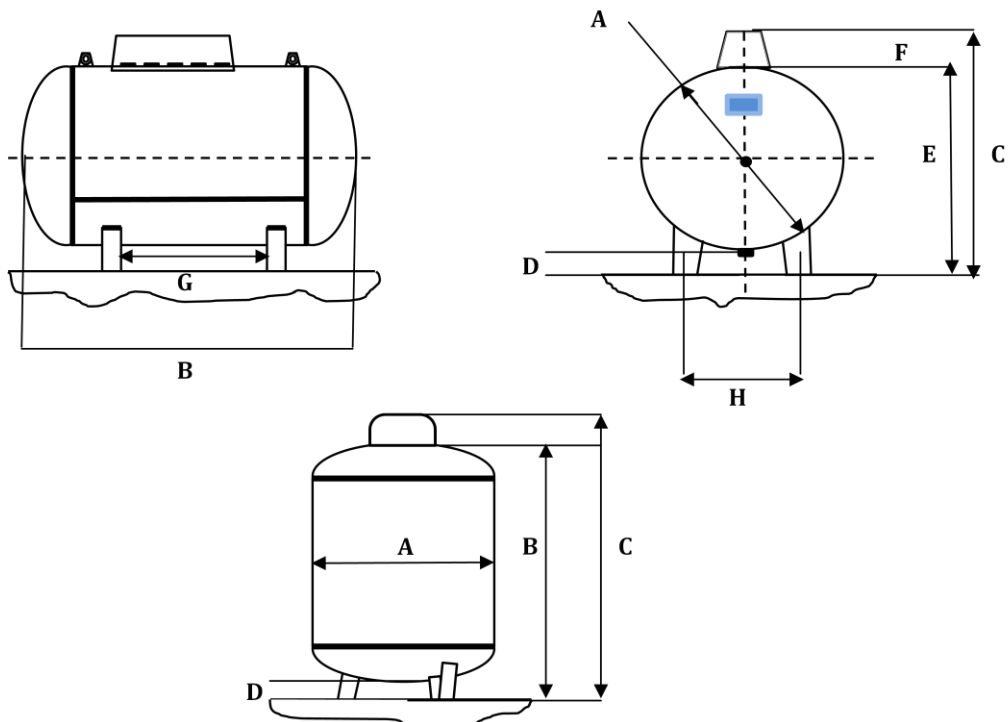


Dimensioni Fuori Terra / Dimensions for AboveGround

Capacity	A mm	B mm	C mm	D mm	E mm	F mm	G mm	H mm	Weight Kg
Vertical									
LINO 295	800	800	990	120	-	190	-	-	100
LINO 450	800	1190	1280	120	-	190	-	-	140
LINO 500	800	1290	1480	120	-	190	-	-	150
LINO 575	1000	1130	1320	120	-	190	-	-	170
LINO 750	1000	1300	1490	120	-	190	-	-	180
Horizontal									
LINO 575	800	1250	980	180	800	180	720	520	160
LINO 1000	1000	1470	1370	140	1140	180	730	760	260

Capacity	A mm	B mm	C mm	D mm	E mm	F mm	G mm	H mm	Weight Kg
Vertical									
1000	1000	1600	1790	80	-	190	-	-	260
Horizontal									
1000	800	2240	1350	276	1134	180	1200	450	260
1750	1000	2500	1400	146	1204	180	1360	630	410
2500	1200	2454	1600	146	1404	180	1250	675	580
3000	1200	2800	1600	146	1404	180	1400	675	630
5000	1200	4800	1600	146	1424	180	3200	675	1040
Spherical									
1000	1200	1220	1410	146	-	190	-	-	240



Dimensioni Interrati / Dimensions for UnderGround

Capacity	A mm	B mm	C mm	D mm	E mm	F mm	G mm	H mm	Weight Kg
Vertical									
LINO 295	800	840	1990	120	-	350	-	-	100
LINO 450	800	1190	1440	120	-	350	-	-	140
LINO 500	800	1290	1640	120	-	350	-	-	150
LINO 575	1000	1130	1480	120	-	350	-	-	170
LINO 750	1000	1300	1650	120	-	350	-	-	180
Horizontal									
LINO 575	800	1250	980	180	800	390	720	520	160
LINO 1000	1000	1470	1530	140	1140	390	730	760	260

Capacity	A mm	B mm	C mm	D mm	E mm	F mm	G mm	H mm	Weight Kg
Vertical									
1000	1000	1600	1790	80	-	350	-	-	260
1650	1200	1800	2110	42	-	350	-	-	480
2250	1200	2350	2700	42	-	350	-	-	630
Horizontal									
1000	800	2240	1524	276	1134	390	1200	450	260
1750	1000	2500	1594	146	1204	390	1360	630	410
2500	1200	2454	1794	146	1404	390	1250	675	580
3000	1200	2800	1794	146	1404	390	1400	675	630
5000	1200	4800	1794	146	1424	390	3200	675	1040
Spherical									
1000	1200	1220	1610	146	-	390	-	-	240

Serbatoi Fuori Terra/AboveGround Tank

Accessori/Accessories	Marca/Brand
Cappelletto/Plastic Cover	RCS SRL
Kit Regolatori/Regulation Kit	Reca/Novacommet
Valvolame/ Valves	OMECA

Serbatoi Interrati/UnderGround Tank

Accessori/Accessories	Marca/Brand
Torrino/Plastic Cover	RCS SRL
Anodo (x2) */Anode (x2) *	ELME
Elettrodo/Electrode	ELME
Kit Regolatori/Regulation Kit	Reca/Novacommet
Valvolame/ Valves	OMECA

*=Sui serbatoi 5000 lt Anodi (x4) ELME/ On 5000lt tank Anode (x4) ELME

BASI IN CEMENTO / CEMENT BASE

TIPO/TYPE	DIMENSIONI/DIMENSIONS (CM)	PESO/WEIGHT (KG)
<u>HORIZONTAL</u>		
575		270
1000	160x80x10	300
1750	180x100x10	400
3000*	240x118x10	800
5000*	240+240x118x10	800+800
<u>VERTICAL</u>		
295/500	80x80x8	150
1000	100x100x8	250
1650	125x125x8	350
2250	125x125x8	350

* NON FORNITE CON IL SERBATOIO / NOT SUPPLIED WITH THE TANK